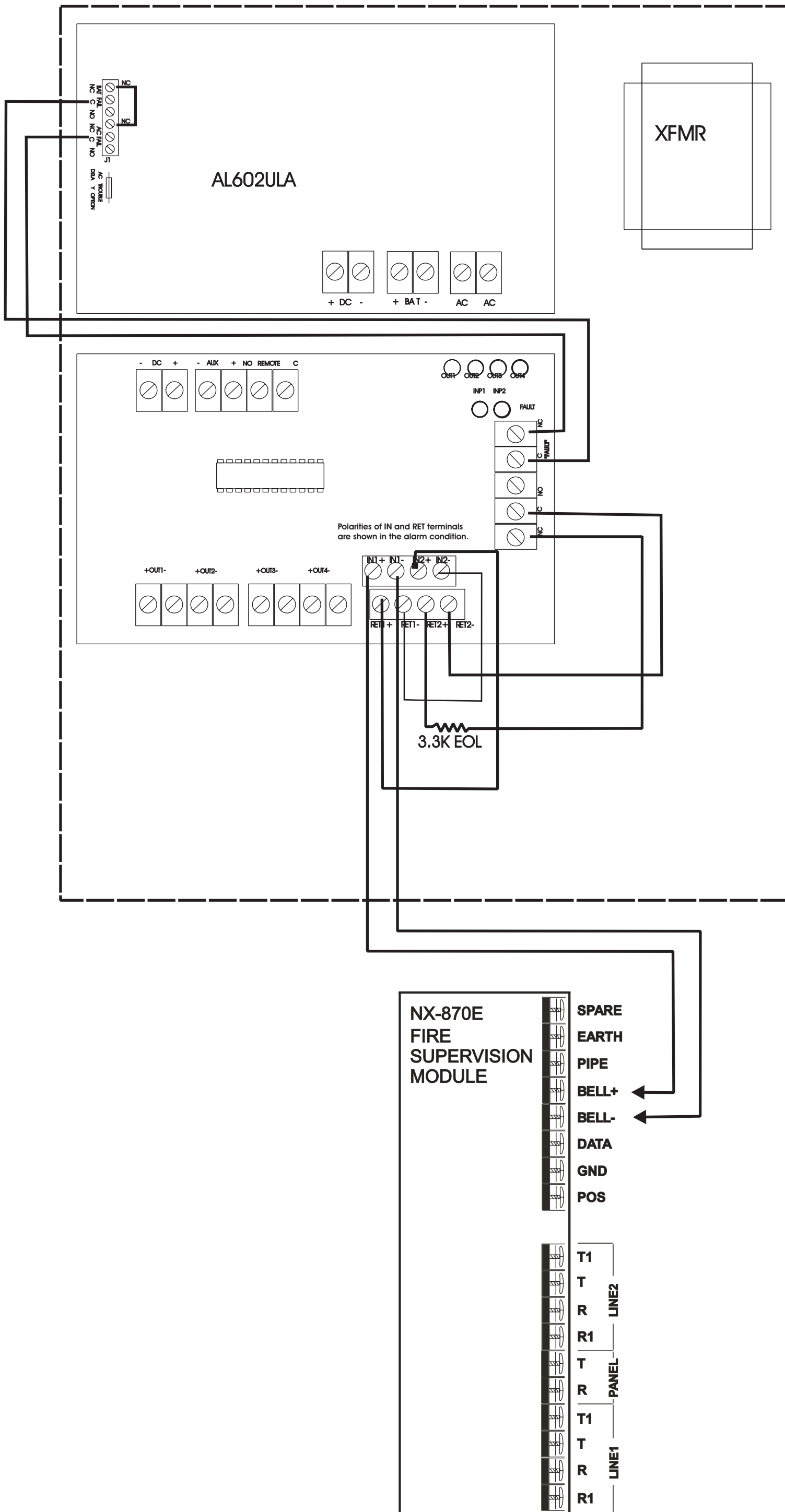


Wiring for NetworX NX-870E Fire Supervision and ALTRONIX AL602UL Power Supply



~ Short on EOL will cause Trouble condition.

~ Open on EOL will cause Trouble condition.

~ *44 will cause the AL602ULADA outputs to trigger.

~ NX-8-CF panel siren should be programmed for voltage out.

(Loc 37/Seg 2/Opt 1)
~ All trouble conditions will cause Bell fault on the NX-870E, which will notify the panel and keypad of a trouble condition.